

Lilaas Joysticks

Lilaas offers a wide range of high quality type approved multipurpose joysticks. Below you will find a simple technical description of various basic models. To meet various needs and requirements, the joysticks may be customized. See next page for more information.



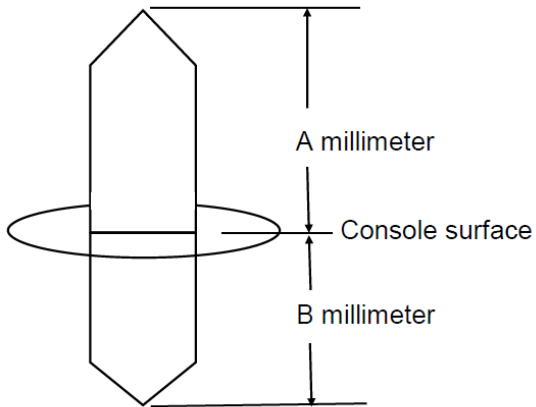
Specification details standard version

	L04	LF40	LF50	LF60
Weight	0,8 kg	0,9 kg	0,5 kg	0,9 kg
Handle movement	X: $\pm 24^\circ$ Y: $\pm 24^\circ$ Z: $\pm 60^\circ$	X: $\pm 24^\circ$ Y: $\pm 24^\circ$ Z: $\pm 45^\circ$	X: $\pm 26^\circ$ Y: $\pm 26^\circ$ Z: $\pm 75^\circ$	X: $\pm 28^\circ$ Y: $\pm 28^\circ$ Z: $\pm 90^\circ$
Electrical movement	X: 48° Y: 48° Z: 120°	X: 48° Y: 48° Z: 90°	X: 52° Y: 52° Z: 150°	X: 244° Y: 244° Z: 244°
Magnetic sensors	Yes	NA	NA	NA
Potmeters	NA	Single 5 k Ω , linear	Single 5 k Ω , linear	Single 5 k Ω , linear
IP grade	IP66	IP66	IP56	IP66
Termination	16 pins contact with plug			
Materials / Finish	Steel A2, Al, POM / alodine, powder coating, rubber bellows			

Elma B.V., Sterrenbergweg 50, 3769 BT Soesterberg, Netherlands, Tel: +31 (0)346 35 60 60,
E-mail: lilaas@elmabv.nl

For more info, see our website <http://www.lilaas-elma.com>

The potentiometer is of a plastic conductive type measuring 5 kΩ between the endpoints. The potentiometer must be as a voltage divider and not as a rheostat. Wiper current must not exceed 1 mA.



External dimensions:

Standard	L04	LF40	LF50	LF60
A	113	97	100	167
B	74	50	66	100



Do you need an extended version? To simplify the customization process, please fill in your request to Elma B.V. in de Spec your request form below and forward it to lilaas@elmabv.nl. We will revert with price and availability.

Lilaas joystick model L04 LF04 LF50 LF60

Options, other than standard

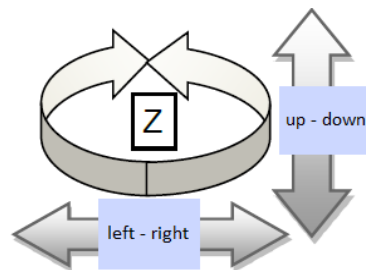
- | | |
|-------------------------|-----------------------------------|
| Less than 3 active axes | Push button with light (only L04) |
| Switches | Spring return |
| Handle movement Z-axis | Potentiometer |
| Logo | |

Axis definition
(up - down)

- Y
- X

Axes definition
(left - right)

- X
- Y



Company

Contact person

E-mail

Telephone

Remarks



Lilaas AS is a world leading manufacturer of various types of control levers and joysticks for marine and offshore us.

As a result of unique design, top-grade materials and thorough test procedures, we produce products of high quality that requires a minimum of service and maintenance.

The control units from Lilaas include levers, controlling mechanism and accompanying electronics.

The products range from simple, one-axis control levers in different sizes, hand wheels and rudder controls to azimuth control units and multi-axis joysticks.

All units may be delivered motorised on all axes and with several optional features. The products comply with stringent certification requirements.

All kinds of vessels, from small fishing boats and ferries, via supply vessels to large tankers and cruise ships may be manoeuvred by control levers from Lilaas.

The products are certified by DNV and the company is certified under NS-EN ISO 9001-2008.

Elma B.V.

Sterrenbergweg 50, 3769 BT Soesterberg, Netherlands, Tel: +31 (0)346 35 60 60

E-mail: lilaas@elmabv.nl

For more info, see our website <http://www.lilaas-elma.com>

