

## LF90 Control lever



Single or double operation of tunnel thruster/ propulsion machinery.

LF90 is designed for single or double operation of tunnel thruster and propulsion machinery. Small, robust and established as one of the most reliable maritime control levers on the market.

The standard lever may be modified according to customer's requirements, such as panel plate, different scales, straight or curved shafts (standard Lilaas thruster control = curved shafts), different handles, potentiometers, detents and switch operation.

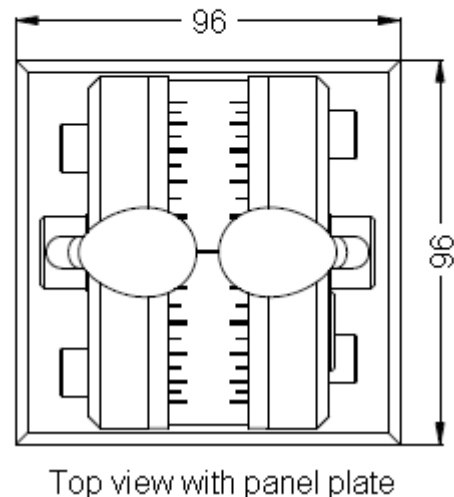
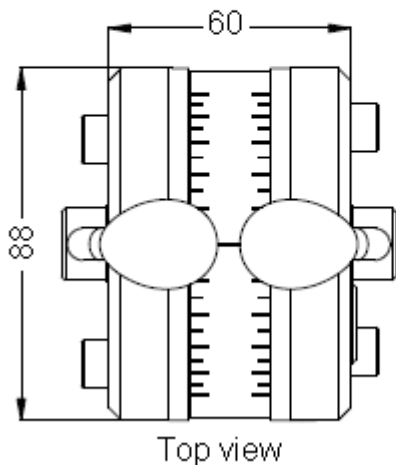
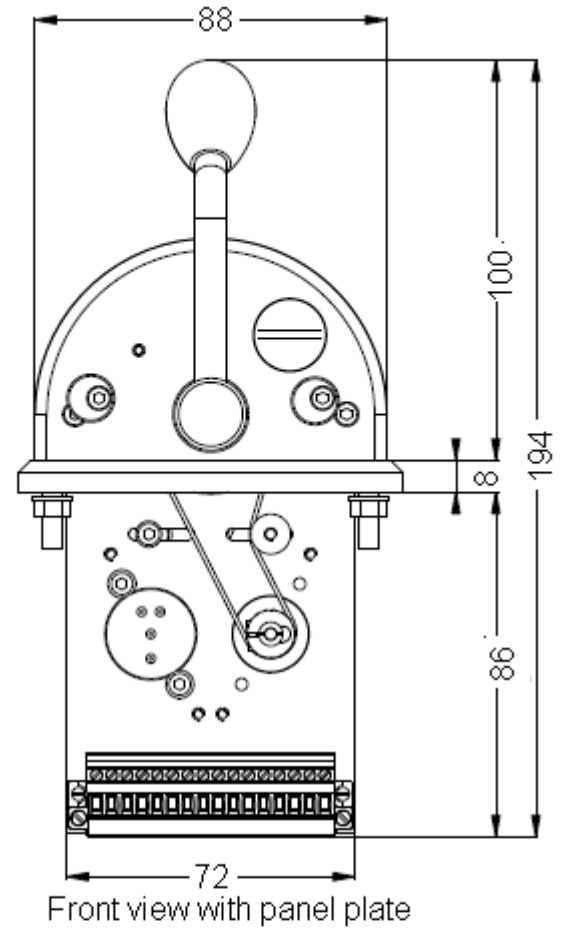
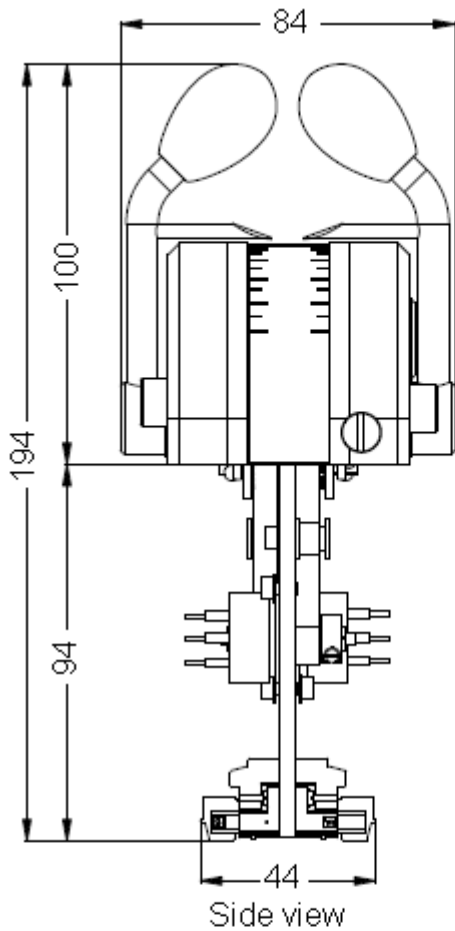
Note: Separate product sheets for motorized versions of LF90/LF120

Talk to us:  
+31 (0)346 35 60 60  
lilaas@elmabv.nl

More information  
[www.lilaas-elmabv.com](http://www.lilaas-elmabv.com)

# Control lever LF90

Outline sketch also valid for single lever (only one handle and one set of mechanical parts below panel plate)



## Technical description, standard

Side covers:	Black coated aluminium
Shaft :	Dull surface, stainless steel
Handle:	Dull surface, POM
Scale:	Self adhesive on acrylic bow
Standard scale light:	24 volts
Standard potmeter:	5 K
Potmeter operation:	Tooth belt
Standard termination:	16 pins contact with plug
Enclosure:	IP66 (panel plate)
Type approval:	EN/IEC 60945, ABS, BV, DNV, GL KR, LR, NK, RINA, PRS, RS, CRS

## Options, single and double

Spring-loaded return to neutral position
Built-in switches
Detents, limited deflection
Various handles and shafts
Handle interlock on/off on straight shafts
Panel plate 96x96 mm, IP66 enclosure
Motorized (see separate product sheet)
A range of scale foils, thruster or propulsion
Integrated scale light
Other options on request