

LF120 Motorized control lever



Single or double motorized operation of propulsion machinery / tunnel thruster.

LF120 motorized controllers are designed for single or double operation of propulsion machinery and tunnel thrusters, prepared to operate with Lilaas or customer el-shaft system. A robust controller that is established as one of the most reliable maritime control levers on the market.

The standard lever may be modified according to customer's requirements, such as different scales, straight or curved shafts, (standard Lilaas propulsion control = curved shafts) different handles, potentiometers, detents or switch operation.

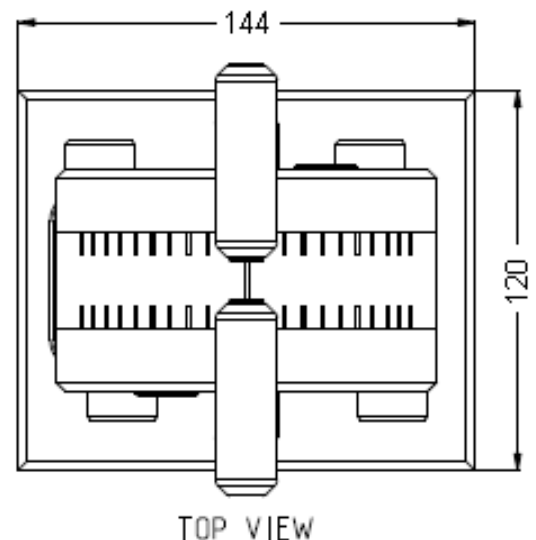
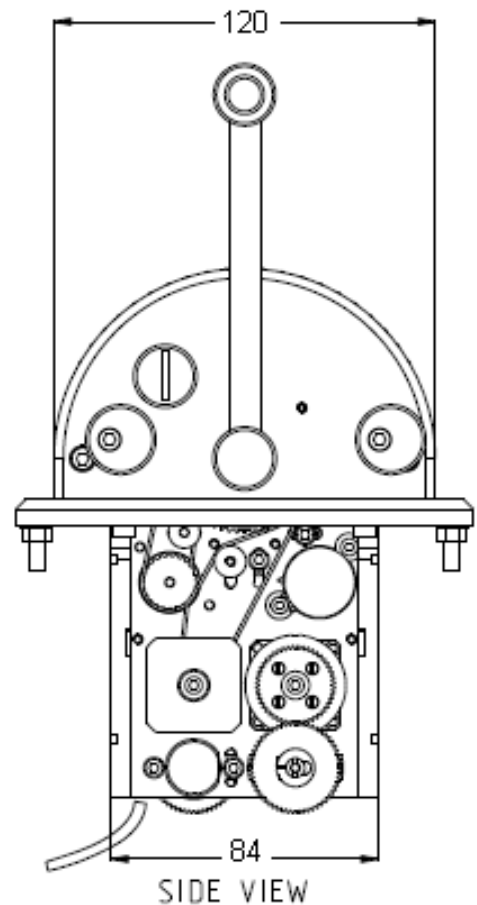
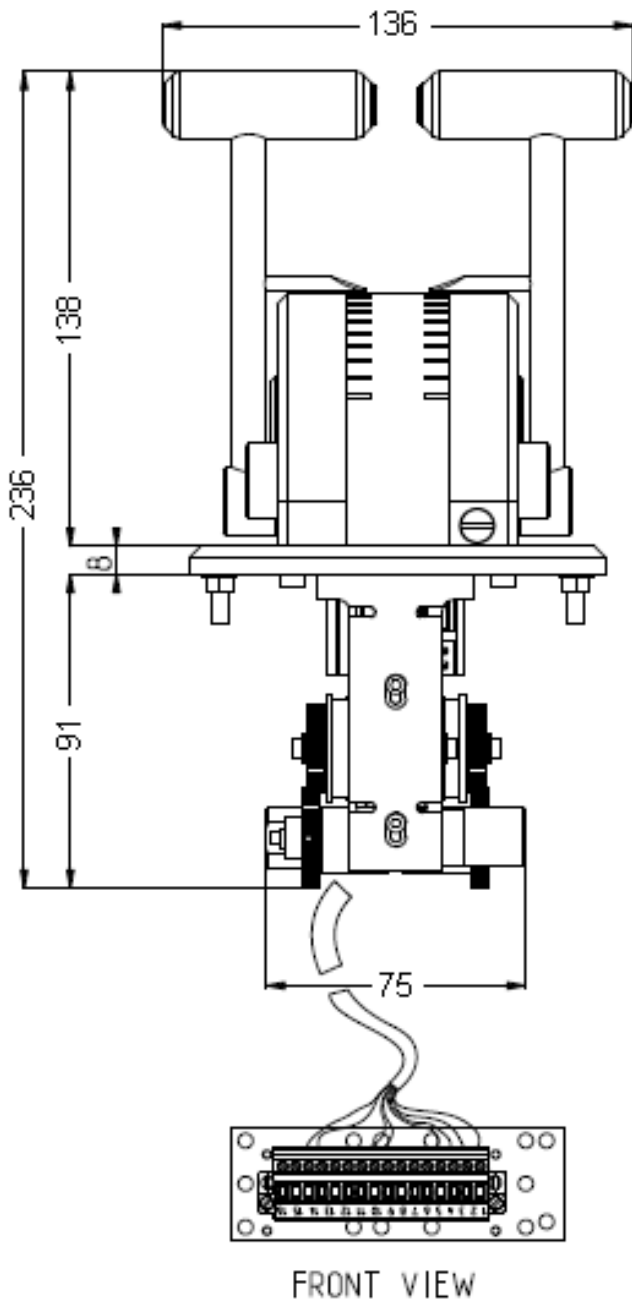
Note: Separate product sheets for Lilaas el-shaft and non motorized LF120.

Talk to us:
+31 (0)346 35 60 60
lilaas@elmabv.nl

More information
www.lilaas-elma.com

Motorized control lever LF120

Outline sketch also valid for single lever (only one handle and one set of mechanical parts below panel plate)



Technical description, standard

Side covers:	Black coated aluminium
Shaft :	Dull surface, stainless steel
Handle:	Dull surface, POM
Scale:	Self adhesive on acrylic bow
Standard scale light:	24 volts
Standard potmeter:	5 K
Potmeter operation:	Tooth belt
Standard termination:	16 pins contact with plug
Panel plate:	96x144 mm
Enclosure:	IP66
Type approval :	EN/IEC 60945, ABS, BV, DNV, GL, KR, LR, NK, RINA, PRS, RS, CRS

Options, single and double

Spring-loaded return to neutral position
 Built-in switches
 Detents, limited deflection
 Handle interlock on/off on straight shafts
 A range of scale foils, thruster or propulsion
 Integrated scale light
 Various handles and shafts
 Other options on request.